

To us, good Luminarie is a matter of
**problem solving, performance,
durability, and aesthetics**



DISC EVO Pendant

solves two problems at once: creates bright comfortable ambient lighting and glare-free smooth task lighting



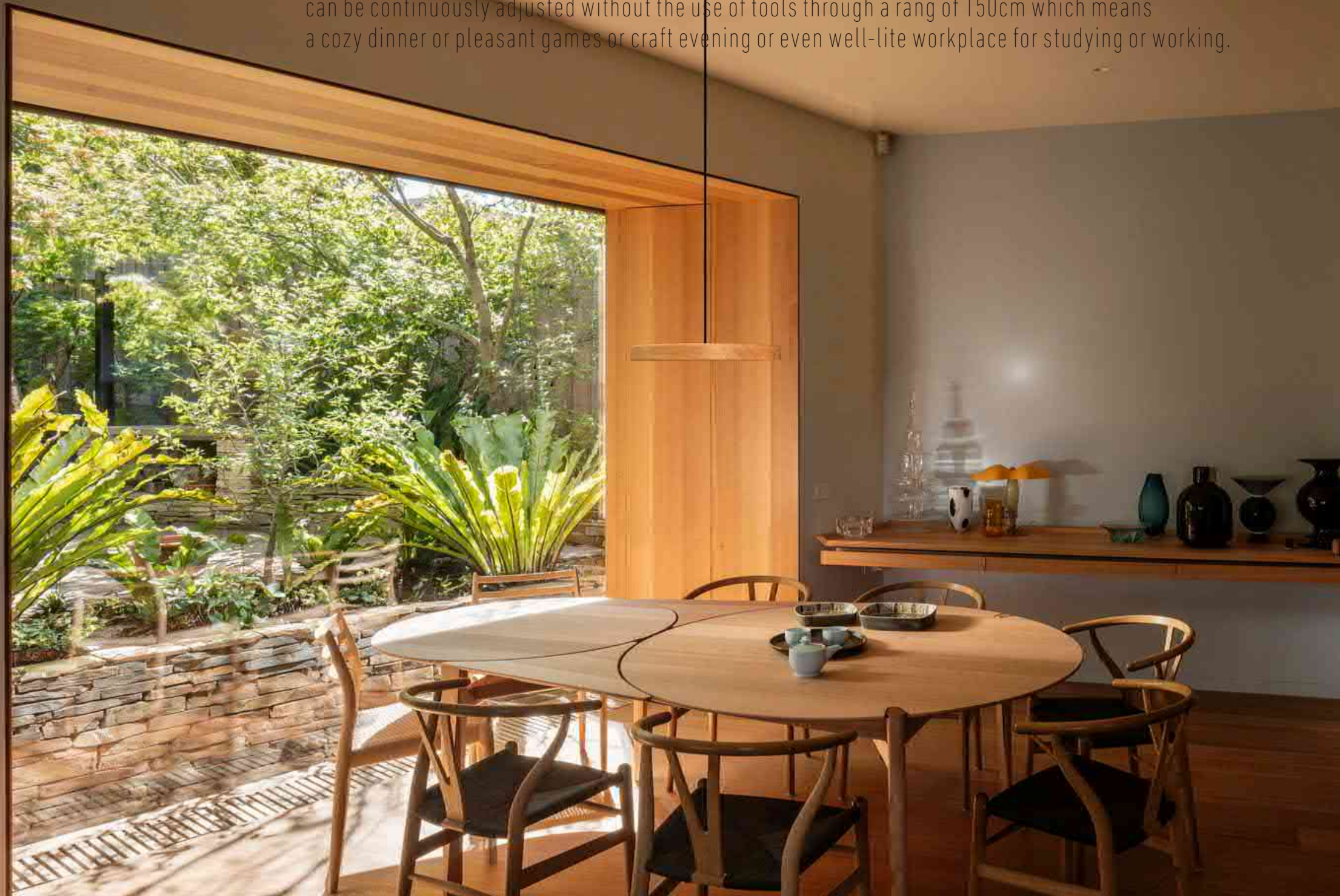
Applied in scandinavian space



Applied in minimalist interior style

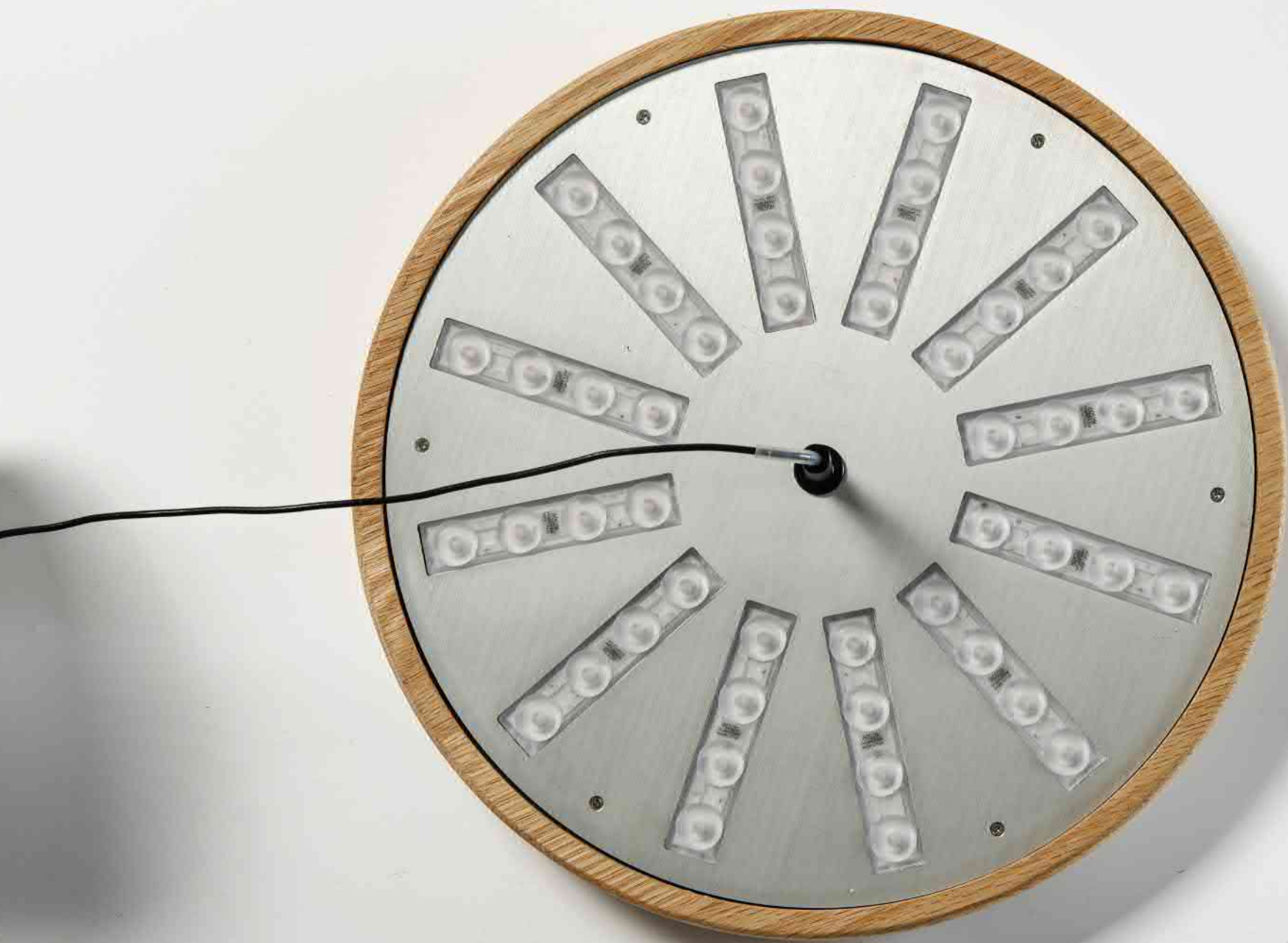
Continuous height adjustment

can be continuously adjusted without the use of tools through a range of 150cm which means a cozy dinner or pleasant games or craft evening or even well-lit workplace for studying or working.





Applied in Janpandi space

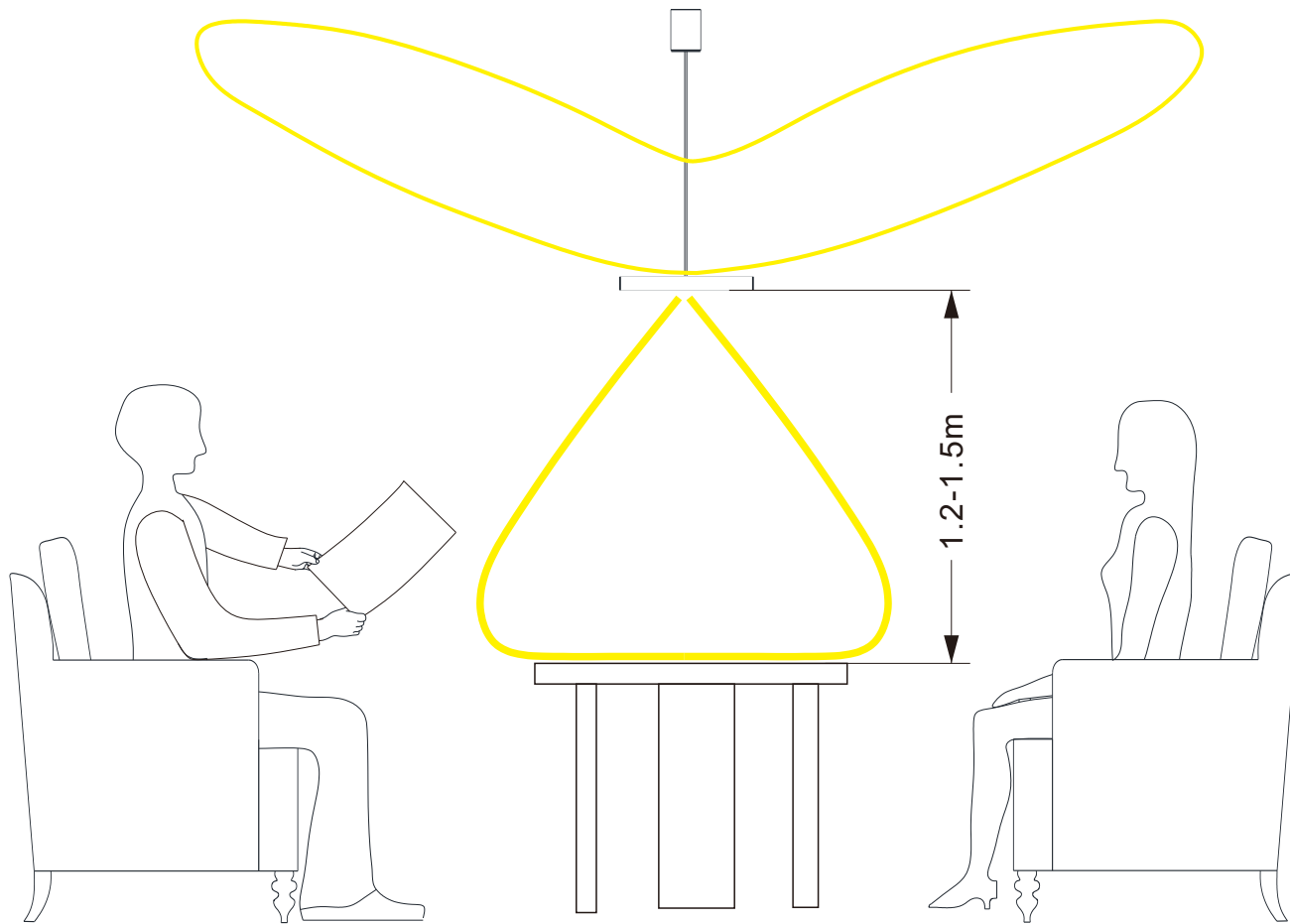






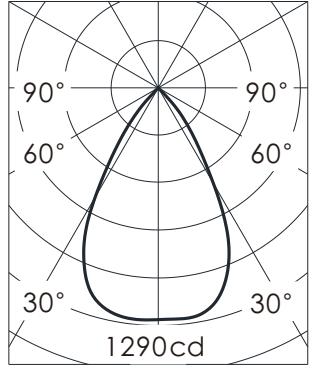


Conditions of Use



- 1.The reserved wire must be in the middle of the table
- 2.The distance between the lamp and the table is equal to the width of the table
- 3.The recommended length of the dining table is 1.2-1.5 meters
- 4.ERGONOMIC should be considered

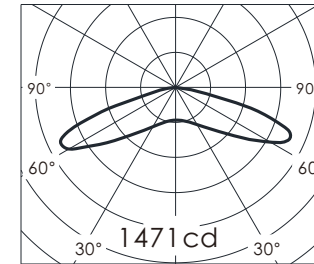
Lighting distribution



View angle : 64°

Height(m)	Illumination (lx)	Diameter (m)
1	849	1.13
2	213	2.27
3	94	3.40
4	53	4.54
5	34	5.67

Direct luminous flux: 1440lm



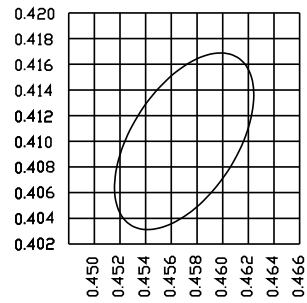
View angle : 160°

Height(m)	Illumination (lx)	Diameter (m)
1	109	5.82
2	27.3	11.65
3	12.1	17.40

Indirect luminous lux: 4990lm

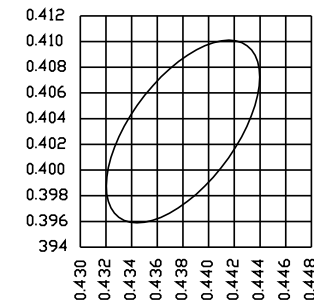
Bin standard

ANSI C78.377



BIN-27A

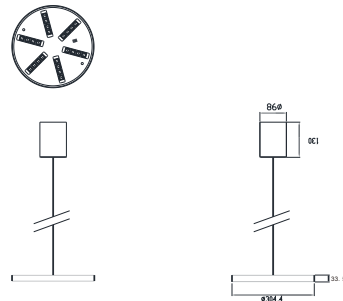
Centred x	y	Nominal CCT (K)	CCT Range(K)	MacAdam ellipse
0.4578	0.4101	2700	2660-2790	3SDCM



BIN-30A

Centred x	y	Nominal CCT (K)	CCT Range(K)	MacAdam ellipse
0.4338	0.403	3000	2865-2940	3SDCM

Dimension



Electrical Characteristics

Voltage Range(V)	22-26
Power /pc (W)	UP 38.4 DOWN 9
Driver	Out
Dimable	direct and indirect individually touchless dimable
Flicker	high frequency

Optical Characteristics

Light distribution	Direct/Indirect
Luminous lux (lm)	Indirect 4990 Direct 1440
lighting source(lm/w)	130/160
Luminare(lm/w)	120/150
Color quality	2700K: CRI93 Ra95 R9 68 Rf 90 Rg 101
	3000K: CRI94 Ra96 R9 72 Rf 92 Rg 101
View angle	UP 160° DOWN 64°
MacAdam Step	3SDCM
UGR	9
Color temperature	2700K/3000K

Physical Characteristics

Color	Oak
Composition	Oak/ Optic /Aluminum/LED
Case	Oak
Dimension (mm)	φ300*33.5mm
Net weight(kg)	2.7

Dependability

Warranty	5 years
Lifespan > 50,000h (Tc=85°C)	L80B50-50,000h(Tc=85°C)
IP	53
Certificate	CE RoHS
Luminare Class	III
IK	Ik03
Temperature	-20 ~ +40°C

Standards&Certificates

Integrating Sphere Test	IES LM79 (lumen,CCT,CRI,XY,SDCM,wave length)
Photometric Distribution Test	IES LM79
Aging Test	IES LM84&IES TM28
Ambient Temperature Test	UL1598&UL2388&IEC60598-1&IEC60598-2-21
High temperature High Humidity Test	UL1598&UL2388&IEC60598-1&IEC60598-2-21
Bending Test	500 cycles
Vibration Test	UL2388>750cycles
Tensile Test	Defined by Manufacturer
Drop Test	UL1598&UL2388&IEC60598-1&IEC60598-2-21
IK Test	IEC62262
Fire-Rating Test	UI94
UV Test	ASTMG154,ISO4892-3,UVA@340nm IEC60529
Salt Spray Test	IEC68-2-11
Thermal Shock Test	Non-lighting -40°C-55°C (25mins) with 5mins , 100 cycles
High temperature test	55°C

Packaging

	Qty	Dimension (mm)	Net weight(kg)	Gross Weight(kg)
Inner Box	1	340*285*345	2.7	3.2

Installation

